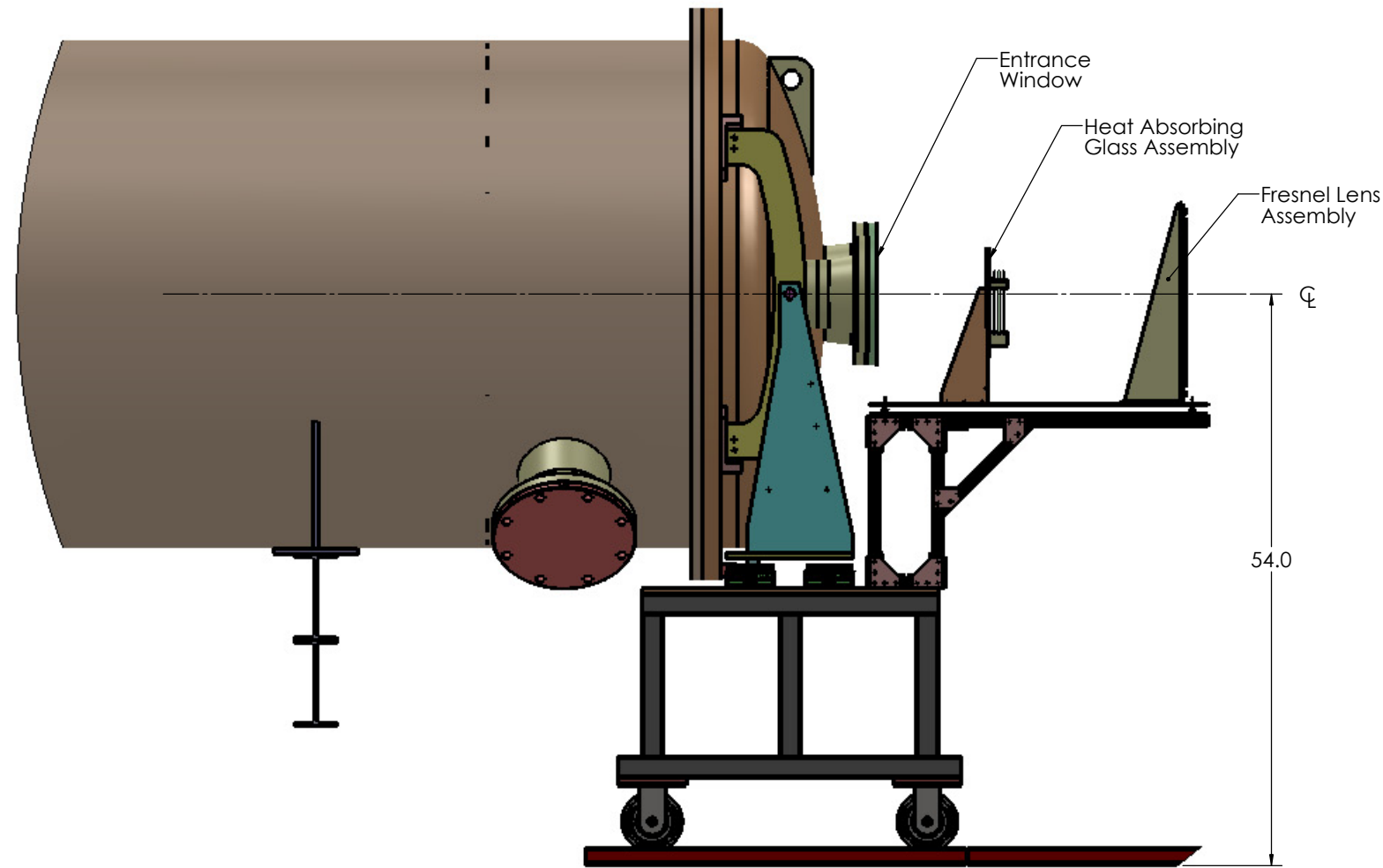
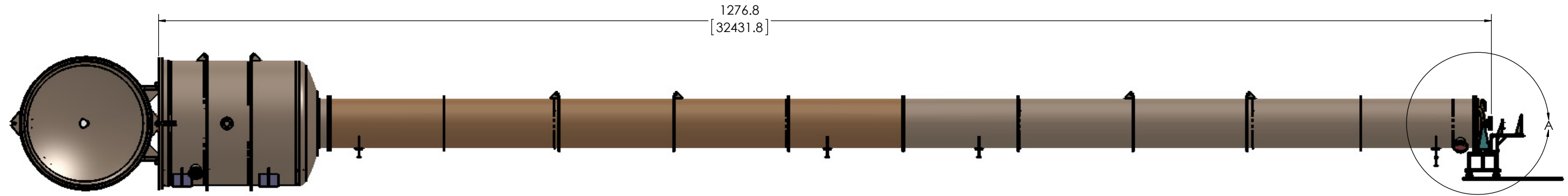


REVISIONS				
ZONE	REV.	DESCRIPTION	DATE	APPROVED
N/A	A	INITIAL ISSUE	07/31/14	Card



DETAIL A
SCALE 1 : 8

PROPRIETARY AND CONFIDENTIAL
 THE INFORMATION CONTAINED IN THIS DRAWING IS THE SOLE PROPERTY OF THE UNIVERSITY CORPORATION FOR ATMOSPHERIC RESEARCH (UCAR). ANY REPRODUCTION IN PART OR AS A WHOLE WITHOUT THE WRITTEN PERMISSION OF UCAR IS STRICTLY PROHIBITED.

UNLESS OTHERWISE SPECIFIED:
DIMENSIONS ARE IN INCHES
 TOLERANCES:
 FRACTIONAL: ±1/16
 ANGULAR: ±0.5°
 LINEAR, X.XX: ±0.010
 LINEAR, X.XXX: ±0.005
DO NOT SCALE DRAWING
 MATERIAL: SEE BOM
 FINISH: SEE BOM

DFS Job# _____ Account Key: 122320
 Contact: Card Extension: 1597

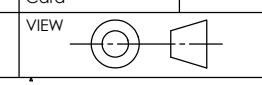
APPROVALS	DATE
DRAWN Card	04/29/14
CHECKED Card	07/31/14
ENG APPR. Card	08/06/14
PROJ. APPR. Card	08/06/14

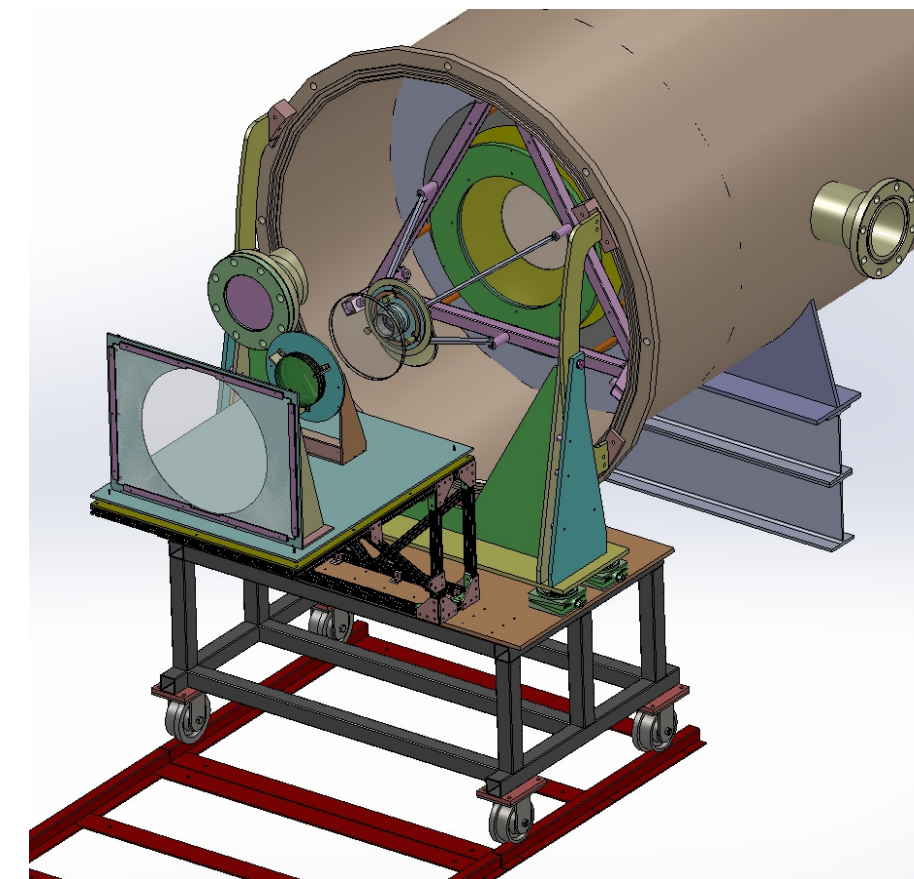
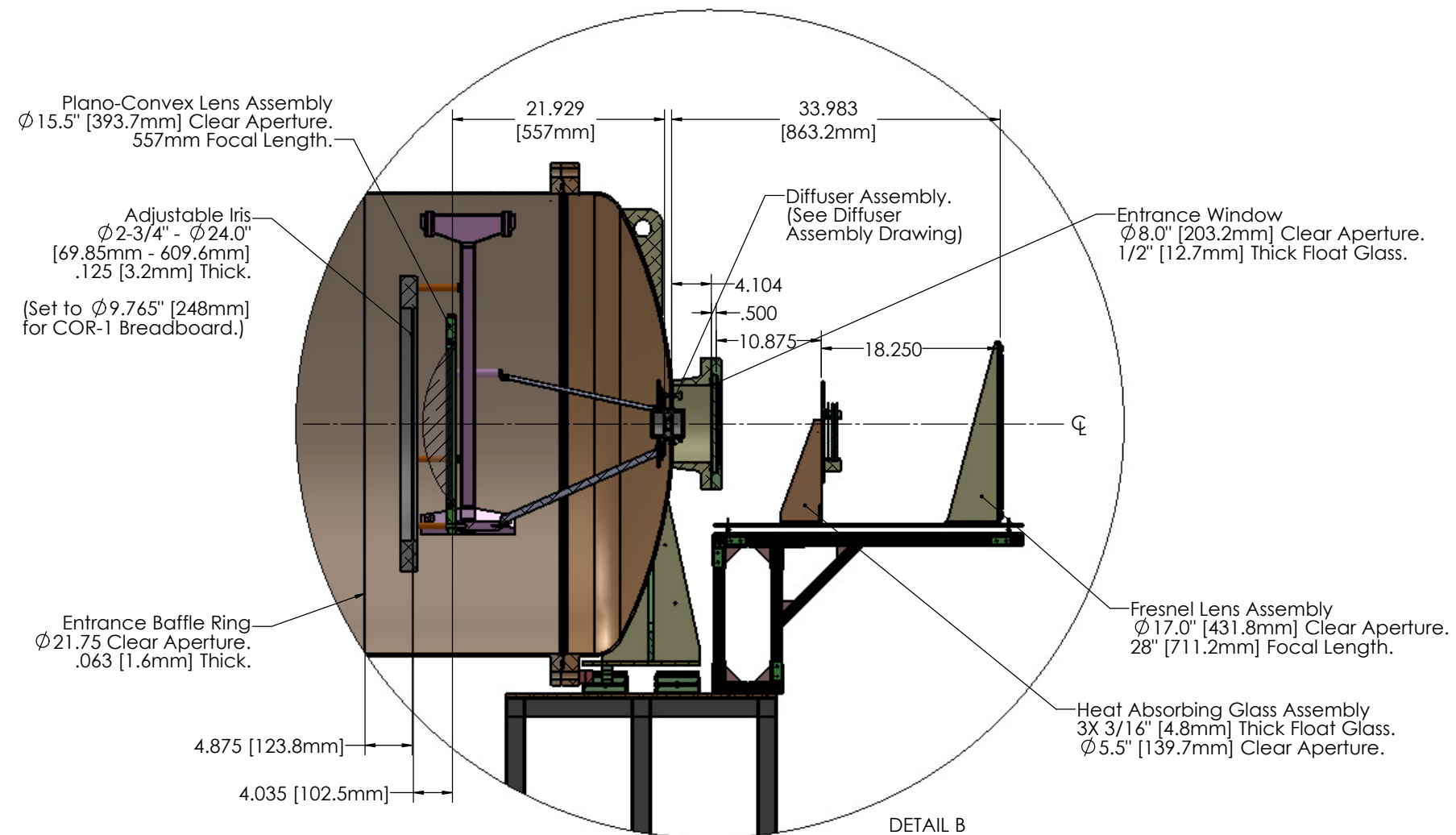
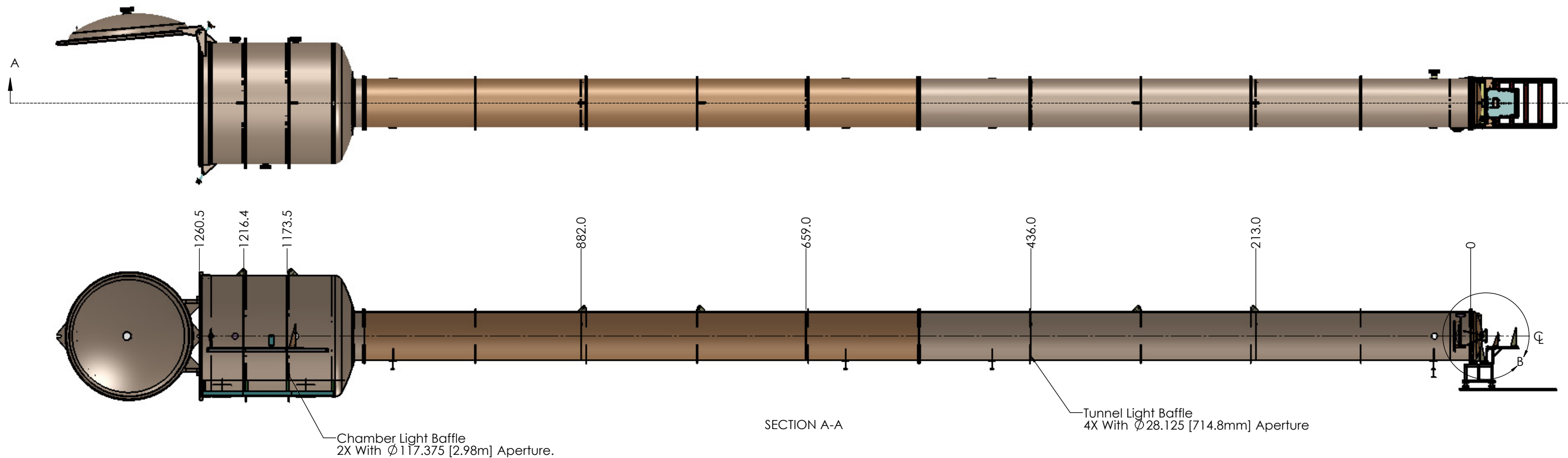
HAO High Altitude Observatory
 3090 Center Green Drive
 Boulder, CO 80301
 303 497 1000

TITLE:
 NCAR Vacuum Tunnel Facility
 NVTF Chamber & Tunnel Assembly

SIZE	DWG. NO.	REV.
D	2320-SW-0900	-

SCALE: 1:50 SHEET 1 OF 2





SIZE	DWG. NO.	REV.
D	2320-SW-0900	-
SCALE: 1:50		SHEET 2 OF 2