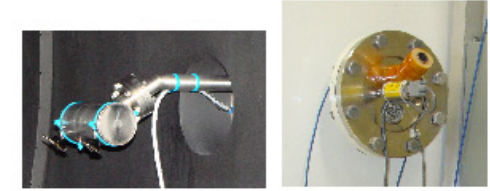
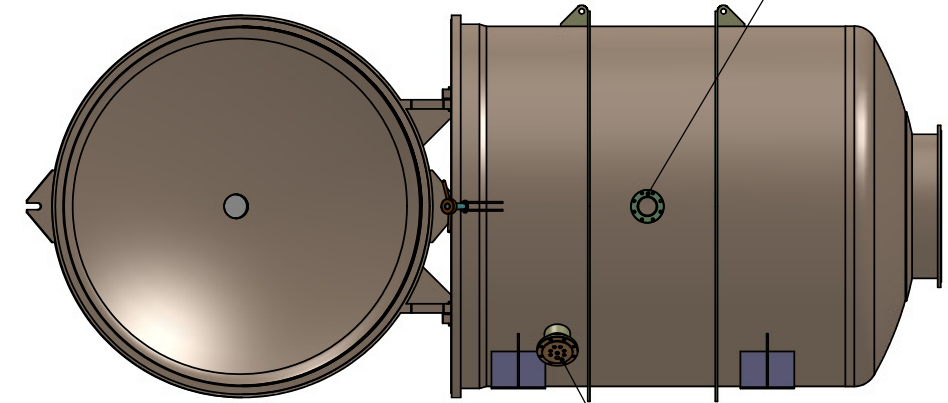
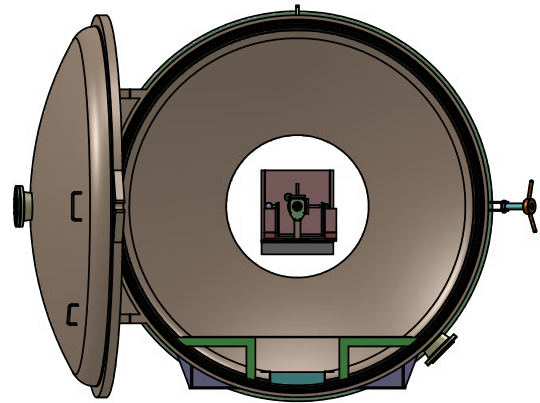
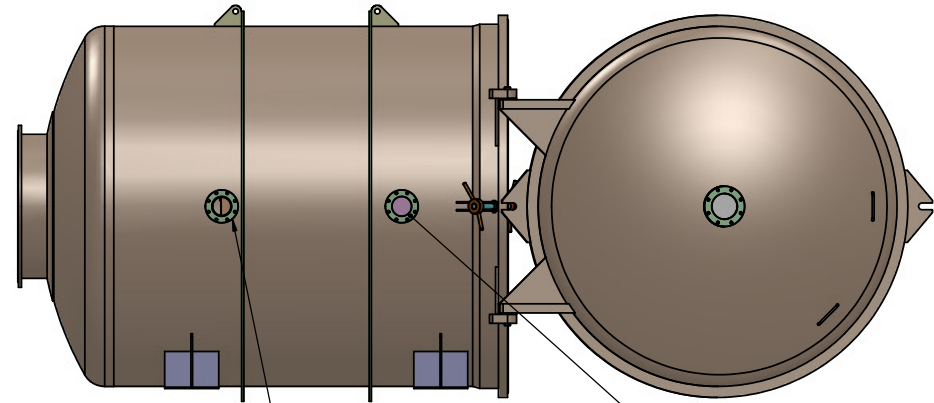
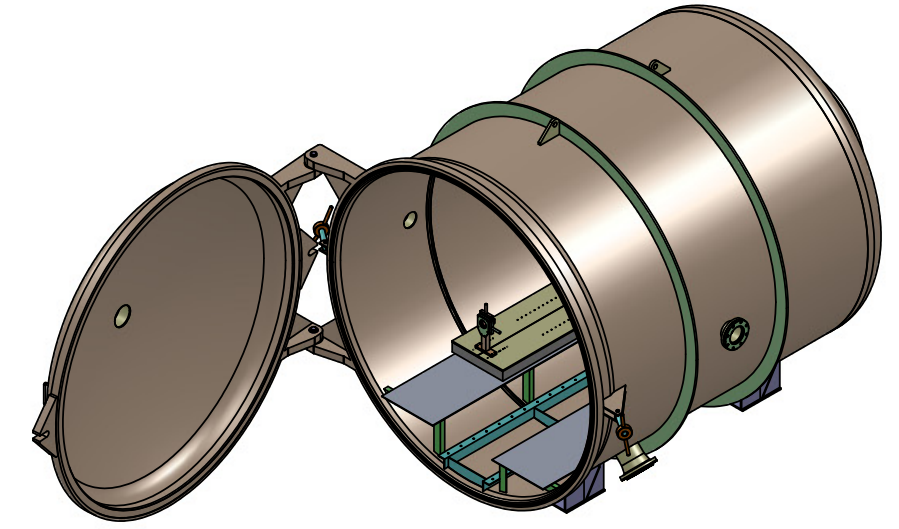
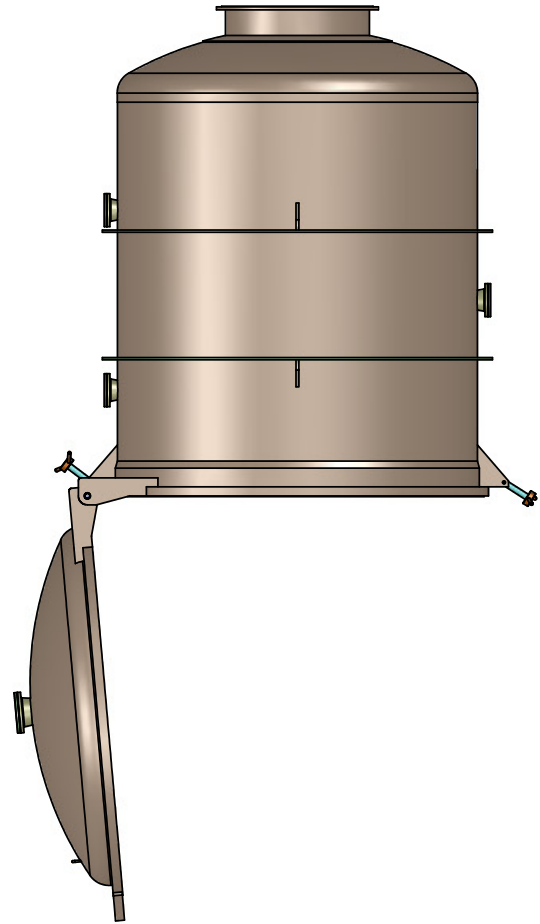


REVISIONS				
ZONE	REV.	DESCRIPTION	DATE	APPROVED
N/A	A	INITIAL ISSUE	07/31/14	Card



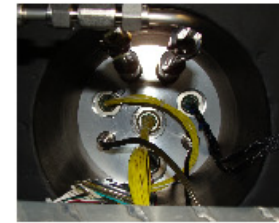
Port #5
 $\phi 6"$ Thru, $\phi 11"$ Flange
 LN2 Cold Trap,
 Vacuum Gauge



Port #3
 $\phi 6"$ Thru, $\phi 11"$ Flange
 Chamber Backfill Port



Port #2
 $\phi 6"$ Thru, $\phi 11"$ Flange
 2X Purge Gas, $\phi 1/4"$ SS Lines



Port #4
 $\phi 7.5"$ Thru, $\phi 13.5"$ Flange
 Cooling Loop Feedthroughs
 Electrical Feedthroughs

PROPRIETARY AND CONFIDENTIAL
 THE INFORMATION CONTAINED IN THIS DRAWING IS THE SOLE PROPERTY OF THE UNIVERSITY CORPORATION FOR ATMOSPHERIC RESEARCH (UCAR). ANY REPRODUCTION IN PART OR AS A WHOLE WITHOUT THE WRITTEN PERMISSION OF UCAR IS STRICTLY PROHIBITED.

UNLESS OTHERWISE SPECIFIED:
DIMENSIONS ARE IN INCHES
 TOLERANCES:
 FRACTIONAL: $\pm 1/16$
 ANGULAR: $\pm 0.5^\circ$
 LINEAR, X.XX: ± 0.010
 LINEAR, X.XXX: ± 0.005
DO NOT SCALE DRAWING

MATERIAL
 SEE BOM
 FINISH
 SEE BOM

DFS Job# _____ Account Key: 128200
 Contact: Card Extension: 1597

APPROVALS	DATE
DRAWN Card	07/31/14
CHECKED Card	07/31/14
ENG APPR. Card	07/31/14
PROJ. APPR. Card	07/31/14

HAO High Altitude Observatory
 3090 Center Green Drive
 Boulder, CO 80301
 303 497 1000
 A Division of NCAR

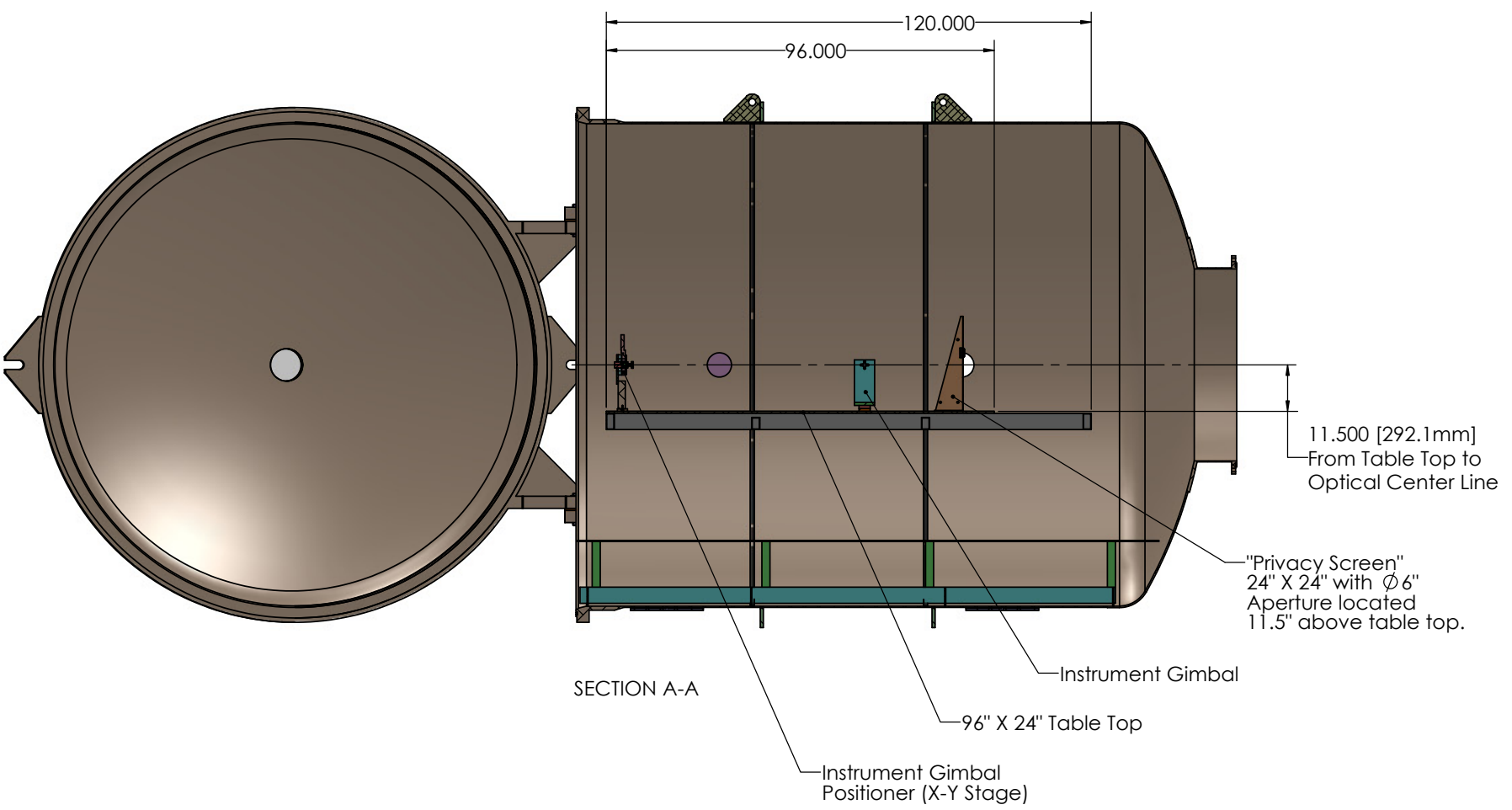
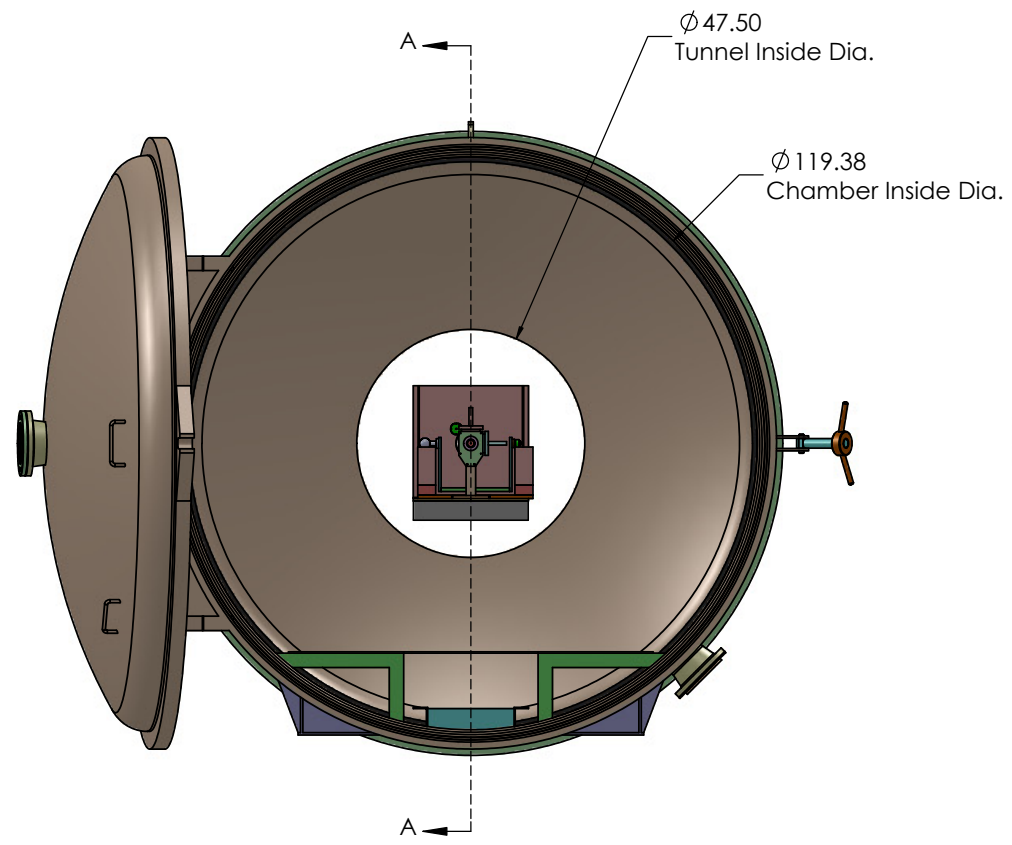
TITLE:
 NVT Chamber & Tunnel
 NVT Chamber

SIZE DWG. NO.
D 2320-SW-0901

SCALE: 1:32 SHEET 1 OF 2



REV.
A



SIZE	DWG. NO.	REV.
D	2320-SW-0901	A
SCALE: 1:20		SHEET 2 OF 2